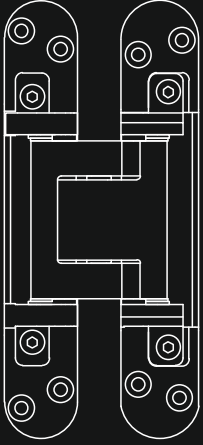


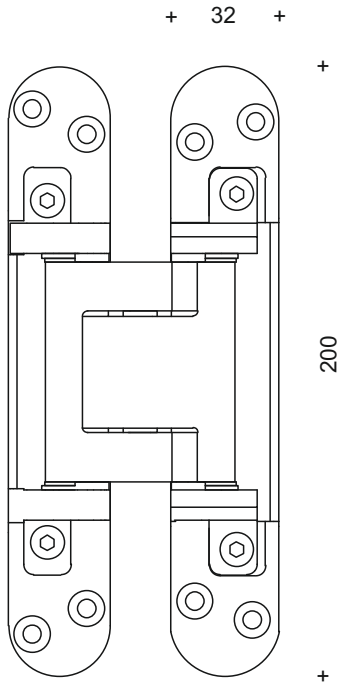
Concealed Hinge



See full details next page

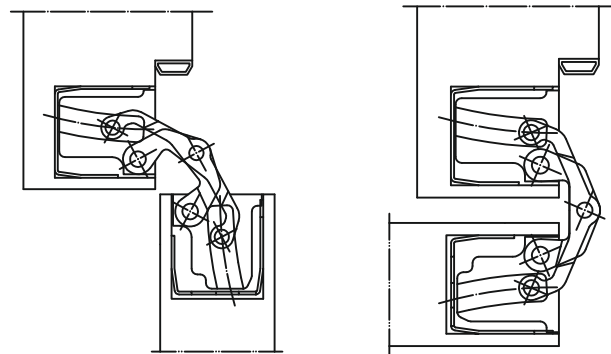
Finishes : SS, PS, PB, BZ,

Concealed Hinge



Product Code

20.1525



Block Frame90

Block Frame180

Product features

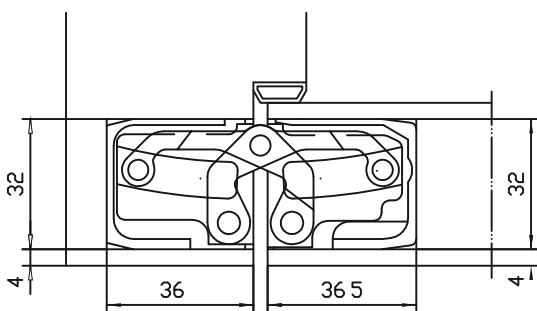
completely concealed hinge system
for timber, steel or aluminium frames
for unrebated heavy-duty doors
maintenance-free slide bearings
with comfortable 3D adjustment (side +/- 3,0 mm, height +/- 3,0 mm, compression +/- 1,0 mm)

Functional areas

fire resistance, smoke resistance, soundproof, Burglar resistance

Load capacity 120,0 kg

Also available for rebated doors and doors up to 300.0 kg

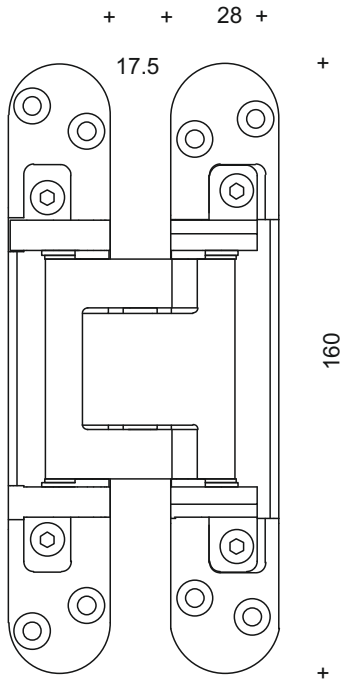


Code Illustration

20.1525.SNP = Satin nickle plate

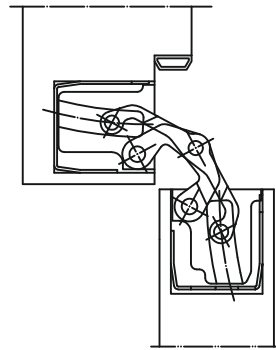
Finishes : SS, PS, PB, BZ, .

Concealed Hinge

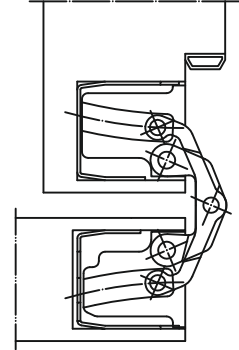


Product Code

20.1530



Block Frame90



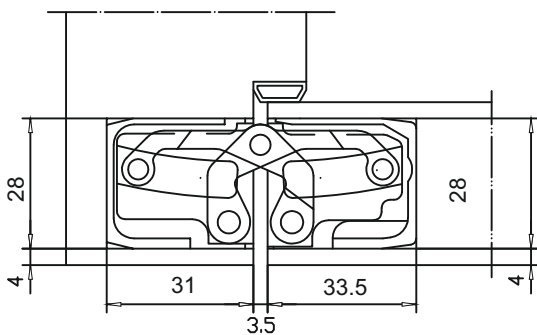
Block Frame180

Product features

completely concealed hinge system
for timber, steel or aluminium frames
for unrebated heavy-duty doors
maintenance-free slide bearings
with comfortable 3D adjustment (side +/- 3,0 mm, height +/- 3,0 mm, compression +/- 1,0 mm)

Load capacity 80,0 kg

Also available for rebated doors and doors up to 300.0 kg



Code Illustration

20.1530.SNP = Satin nickle plate

Finishes : SS, PS, PB, BZ, .